

Technical data sheet for

## E27T3 ON THE SK2728TN / SK2728TU STAND

Full Size Electric Convection Oven

TOUCH SCREEN CONTROL on a Stainless Steel Stand



### E27T3

Unit shall be a Blue Seal electrically heated Turbofan convection oven. The oven shall have a one piece vitreous enamel oven chamber, stainless top and sides and safe touch vented easy clean drop down door. Oven shall have capacity for three full size sheet pans. The oven shall have 4.5kW heating elements. The oven shall have a bi-directional single reversing fan system. The oven shall feature a programmable Touch Screen menu controller, and feature dual halogen oven lamps. Oven shall be able to be bench mounted on 76mm feet or mounted on oven stand models SK2728TN or SK2728TU. Unit shall be supplied in 100% recyclable shipping packaging.

### SK2728TN

Unit shall be a Blue Seal Turbofan stainless steel oven stand. The stand shall be constructed from stainless steel tube with castors, with front castors having dual swivel and wheel locks. It shall be fitted with 6 tray runners suitable for up to 600 x 400 trays and GN 1/1 pans. The stand shall be fully compatible with, and support, Turbofan Convection Oven models E27T2, E27T3 and E28T4.

Unit shall be supplied in 100% recyclable shipping packaging.

### SK2728TU

Unit shall be a Blue Seal Turbofan stainless steel oven stand. The stand shall be constructed from stainless steel tube with castors, with front castors having dual swivel and wheel locks. It shall be fitted with 6 tray runners suitable for up to 12 half size sheet pans or 6 full size sheet pans. The stand shall be fully compatible with, and support, Turbofan Convection Oven models E27T2, E27T3 and E28T4. Unit shall be supplied in 100% recyclable shipping packaging.

### STANDARD FEATURES

- 3 460mm x 660mm / 18" x 26" full size sheet pan capacity
- 3 400mm x 600mm tray capacity
- 85mm tray spacing
- 945mm width
- Touch Screen control
- Icon driven program menu
- USB port for program/icon updating
- Individual shelf timers
- Multi-stage programs
- Steam injection mode and manual injection
- Bi-directional reversing fan system
- 4.5kW heating power
- Vitreous enamel oven chamber
- Plug-in continuous oven door seal
- Safe-Touch vented drop down door
- Stay-Cool door handle
- Heavy-duty door hinges
- Easy clean door glass system
- Dual halogen oven lamps
- Dia. 180mm full stainless steel oven fan
- Anti-skid 50mm dia. 76mm high adjustable stainless steel feet
- 3 oven wire racks supplied
- 100% recyclable packaging

### ACCESSORIES

- Turbofan SK2728TN Oven Stand suits 400mm x 600mm trays and GN 1/1 pans
- Turbofan SK2728TU Oven Stand suits 460mm x 660mm / 18" x 26" pans

#### E27T3 Full Size Electric Convection Oven TOUCH SCREEN CONTROL on a Stainless Steel Stand

##### CONSTRUCTION

Vitreous enameled fully welded oven chamber  
Stainless steel front, sides and top exterior  
Stainless steel oven fan baffle and oven vent  
Removable 3 position chrome plated wire side racks  
Oven racks chrome plated wire (3 supplied)  
Stainless steel frame drop down hinged door  
5mm thick door outer glass  
5mm thick low energy loss door inner glass  
Heavy-duty counterbalanced door hinges  
Wear resistant powder coated welded door handle  
Stainless steel control panel  
Aluminised coated steel base and rear panels

##### CONTROLS

5.7" LED backlit touch screen  
Icon driven program menu  
BMP image icon imports via USB port  
Temperature range 50-260°C  
Individual shelf timers  
Multi-stage programs  
Over-temperature safety cut-out

##### CLEANING

Stainless steel top and sides continuous exterior panel  
Vitreous enameled oven chamber  
Fully removable chrome plated oven side racks  
Removable stainless steel oven fan baffle  
Full stainless steel oven fan  
Easy clean door system with hinge out door inner glass (no tools required)  
Removable plug-in oven door seal (no tools required)  
76mm high stainless steel feet for easy access underside

##### SPECIFICATIONS

Electrical Requirements  
230-240V, 50Hz, 1P+N+E, 4.7kW, 19.6A  
No cordset supplied  
Water Requirements (optional)  
Cold water connection ¾" BSP male  
80psi maximum inlet pressure / 20psi minimum inlet pressure

##### External Dimensions

Width 945mm  
Height 512mm including 76mm feet  
Depth 762mm

##### Oven Internal Dimensions

Width 695mm  
Height 305mm  
Depth 470mm  
Volume 0.10m<sup>3</sup>

##### Oven Rack Dimensions

Width 660mm  
Depth 460mm  
Nett Weight (E27T3)  
61.9kg

##### Packing Data (E27T3)

79.5kg  
0.57m<sup>3</sup>  
Width 875mm  
Height 640mm  
Depth 1010mm

#### SK2728TN/TU

##### Stainless Steel Stand

All stainless steel welded frame oven stand for Turbofan E27T and E28T Series model ovens  
6 position tray runners standard  
76mm diameter wheel swivel castors standard with 2 front castors with dual swivel and wheel  
Welded 38mm and 32mm square tube front and rear frames  
Welded rack supports/side frames  
4 dia. 76mm swivel castors with 2 front castors dual wheel and swivel lock  
Top frame oven supports suit Turbofan E27T and E28T Series oven mounting  
Supplied CKD for assembly on site

##### External Dimensions (SK2728TN/TU Oven Stand)

Width 945mm  
Height 880mm  
Depth 650mm

Nett Weight (SK2728TN/TU Oven Stand)  
20.5kg

##### Packing Data (SK2728TN/TU Oven Stand)

23kg  
4.6ft<sup>3</sup> / 0.13m<sup>3</sup>  
Width 955mm  
Height 900mm  
Depth 152mm

##### INSTALLATION CLEARANCES

Rear 25mm  
LH Side 25mm  
RH Side 25mm

##### CLEARANCE FROM SOURCES OF HEAT

A minimum distance of 300mm from the appliance sides is required



blue-seal.co.uk  
turbofanoven.com

United Kingdom  
Blue Seal Limited

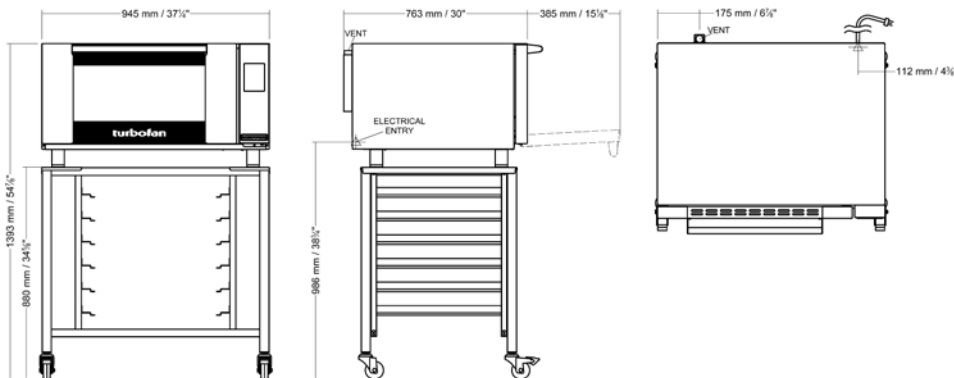
Unit 67  
Gravelly Business Park  
Gravelly  
Birmingham B24 8TQ  
England  
Telephone 0121-327 5575  
Facsimile 0121-327 9711  
sales@blue-seal.co.uk  
www.blue-seal.co.uk

Australia  
Moffat Pty Limited

740 Springvale Road  
Mulgrave, Victoria 3170  
Australia  
Telephone 03-9518 3888  
Facsimile 03-9518 3833  
vsales@moffat.com.au  
www.moffat.com.au

New Zealand  
Moffat Limited

Christchurch  
45 Illinois Drive  
Izone Business Hub  
Rollestone 7675  
Telephone +64 3-983 6600  
Facsimile +64 3-983 6660  
sales@moffat.co.nz  
www.moffat.co.nz



ISO9001  
Quality  
Management  
Standard

Designed and manufactured by



##### ISO9001

All Turbofan products are designed and manufactured by Moffat using the internationally recognised ISO9001 quality management system, covering design, manufacture and final inspection, ensuring consistent high quality at all times.

In line with policy to continually develop and improve its products, Moffat Limited reserves the right to change specifications and design without notice.



© Copyright Moffat Ltd  
UK.TFN.S.1601

