

Technical data sheet for

## E28D4 ON THE SK2731U STAND

Full Size Digital / Electric Convection Oven  
on a Stainless Steel Stand



### E28D4

Unit shall be a Moffat electrically heated Turbofan convection oven E.T.L. listed and NSF-4 listed. The oven shall have a one piece porcelain enameled oven chamber, stainless top and sides and safe touch vented easy clean drop down door. Oven shall have capacity for four full size sheet pans. The oven shall have 5.6kW heating elements for 220-240V models or 5.0kW heating elements for 208V models. The oven shall have twin bi-directional single reversing fans and feature a single halogen oven lamp. The oven shall be controlled by an electronic control having separate digital displays and adjusting knobs for time and temperature functions. The oven control shall allow both manual and programmed operating modes with programmable steam injection and 3 stage cooking. Oven shall be able to be bench mounted on 3" / 76mm feet or mounted on oven stand model SK2731U. Unit shall be supplied in 100% recyclable shipping packaging.

### SK2731U

Unit shall be a Moffat Turbofan stainless steel oven stand NSF-4 listed. The stand shall be constructed from stainless steel tube with castors, with front castors having dual swivel and wheel locks. It shall be fitted with 6 tray runners suitable for up to 12 half size sheet pans or 6 full size sheet pans. The stand shall be fully compatible with, and support, Turbofan Convection Oven models E27, E28 and E31. Unit shall be supplied in 100% recyclable shipping packaging.

### STANDARD FEATURES

- 4 full size sheet pan capacity
- 3 $\frac{1}{8}$ " / 80mm tray spacing
- Compact 31 $\frac{7}{8}$ " / 810mm width
- Digital display Time and Temperature controls
- Large easy view  $\frac{3}{4}$ " / 20mm high displays
- Electronic thermostat control
- Electronic timer
- Manual mode and Program mode
- 20 programs with 3 stage cooking and stage end alarms
- Steam injection mode and manual injection
- Twin bi-directional reversing fans
- 5.6kW heating (220-240V) / 5.0kW heating (208V)
- Porcelain enameled oven chamber
- Plug-in continuous oven door seal
- Safe-Touch vented drop down door
- Stay-Cool door handle
- Heavy-duty door hinges
- Easy clean door glass system
- Halogen oven lamp
- Twin dia. 7" / 180mm full stainless steel oven fans
- Anti-skid 2" / 50mm dia. 3" / 76mm high adjustable stainless steel feet
- 4 oven wire racks supplied
- 100% recyclable packaging

### ACCESSORIES

- Turbofan SK2731U Oven Stand

### E28D4 Full Size Digital / Electric Convection Oven on a Stainless Steel Stand

#### CONSTRUCTION

Porcelain enameled fully welded oven chamber  
 Stainless steel front, sides and top exterior  
 Stainless steel oven fan baffle and oven vent  
 Removable 4 position chrome plated wire side racks  
 Oven racks chrome plated wire (4 supplied)  
 Stainless steel frame drop down hinged door  
 0.2" / 5mm thick door outer glass  
 0.2" / 5mm thick low energy loss door inner glass  
 Heavy-duty counterbalanced door hinges  
 Wear resistant powder coated welded door handle  
 Stainless steel control panel  
 Aluminized coated steel base and rear panels

#### CONTROLS

Electronic controls with Digital Time and Temperature display, Manual or Program modes  
 Large ¾" / 20mm high LED displays  
 Two individual time and temperature setting control knobs  
 ON/OFF and Oven Lights key  
 Timer Start/Stop key  
 Steam injection key  
 Programs select key  
 Actual temperature display key  
 Adjustable buzzer/alarm volume  
 Thermostat range 150-500°F / 50-260°C  
 Timer range from 180 minutes in countdown mode  
 Timer range up to 999 minutes in time count mode for holding, slow cooking  
 Over-temperature safety cut-out

#### CLEANING

Stainless steel top and sides continuous exterior panel  
 Porcelain enameled oven chamber  
 Fully removable chrome plated oven side racks  
 Removable stainless steel oven fan baffle  
 Full stainless steel oven fans  
 Easy clean door system with hinge out door inner glass (no tools required)  
 Removable plug-in oven door seal (no tools required)  
 3" / 76mm high stainless steel feet for easy access underside

#### SPECIFICATIONS

Electrical Requirements  
 208V, 50/60Hz, 1-phase, 5.4kW, 25.8A  
 220-240V, 50/60Hz, 1-phase, 6.0kW, 25A  
 No cordset supplied

#### Water Requirements (optional)

Cold water connection ¾" GHT male  
 80psi maximum inlet pressure / 20psi minimum inlet pressure

#### External Dimensions

Width 31 7/8" / 810mm  
 Height 26" / 662mm including 3" / 76mm feet  
 Depth 30" / 762mm

#### Oven Internal Dimensions

Width 27 3/8" / 695mm  
 Height 14" / 355mm  
 Depth 18 1/2" / 470mm  
 Volume 4.1ft³ / 0.116m³

#### Oven Rack Dimensions

Width 26" / 660mm  
 Depth 18" / 460mm

#### Nett Weight (E28D4)

153lbs / 69.5kg

#### Packing Data (E28D4)

191lbs / 86.5kg  
 19.4 ft³ / 0.55m³  
 Width 34 1/4" / 870mm  
 Height 29 3/4" / 755mm  
 Depth 32 7/8" / 835mm

### SK2731U Stainless Steel Stand

All stainless steel welded frame oven stand for Turbofan E27, E28 and E31 Series model ovens  
 6 position tray runners standard  
 3" / 76mm diameter wheel swivel castors standard with 2 front castors with dual swivel and wheel  
 Welded 1 1/2" and 1 1/4" square tube front and rear frames  
 Welded rack supports/side frames  
 4 dia. 3" / 76mm swivel castors with 2 front castors dual wheel and swivel lock  
 Top frame oven supports suit Turbofan E27, E28 and E31 Series oven mounting  
 Supplied CKD for assembly on site

#### External Dimensions (SK2731U Oven Stand)

Width 31 7/8" / 810mm  
 Height 34 5/8" / 880mm  
 Depth 25 5/8" / 650mm

#### Nett Weight (SK2731U Oven Stand)

43lbs / 19.5kg

#### Packing Data (SK2731U Oven Stand)

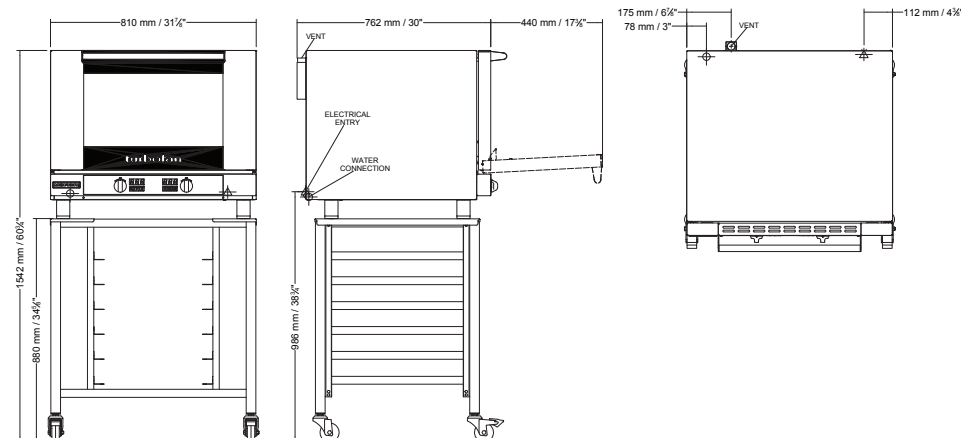
49lbs / 22kg  
 3.9ft³ / 0.11m³  
 Width 32 5/8" / 830mm  
 Height 35 1/2" / 900mm  
 Depth 6" / 152mm

#### INSTALLATION CLEARANCES

Rear 1" / 25mm  
 LH Side 1" / 25mm  
 RH Side 1" / 25mm

#### CLEARANCE FROM SOURCES OF HEAT

A minimum distance of 12" / 300mm from the appliance sides is required



www.moffatusa.com  
 www.turbofanoven.com

#### U.S.A.

Moffat Inc  
 3765 Champion Boulevard  
 Winston-Salem  
 North Carolina 27105  
 Ph Toll Free 1-800-551 8795  
 Ph 336-661 0257  
 Fax 336-661 9546  
 Email sales@moffat.com  
 www.moffatusa.com

#### Manufactured by:

Moffat Limited  
 45 Illinois Drive, Izone Business Hub  
 Rolleston 7675, New Zealand



ISO9001  
 Quality Management Standard

Designed and manufactured by



#### ISO9001

All Turbofan products are designed and manufactured by Moffat using the internationally recognised ISO9001 quality management system, covering design, manufacture and final inspection, ensuring consistent high quality at all times.

In line with policy to continually develop and improve its products, Moffat Limited reserves the right to change specifications and design without notice.



© Copyright Moffat Ltd  
 Moffat 01.2015