

Technical data sheet for

E28M4 ON THE SK2731U STAND

Full Size Manual / Electric Convection Oven
on a Stainless Steel Stand



E28M4

Unit shall be a Blue Seal electrically heated Turbofan convection oven E.T.L. listed and NSF-4 listed. The oven shall have a one piece porcelain enameled oven chamber, stainless top and sides and safe touch vented easy clean drop down door. Oven shall have capacity for four full size sheet pans. The oven shall have 5.6kW heating elements for 220-240V models or 5.0kW heating elements for 208V models. The oven shall have twin bi-directional single reversing fans. The oven shall be controlled by a mechanical thermostat with a range of 150-500°F / 50-260°C, a 60 minute bake timer, and feature dual halogen oven lamps. Oven shall be able to be bench mounted on 3" / 76mm feet or mounted on oven stand model SK2731U. Unit shall be supplied in 100% recyclable shipping packaging.

SK2731U

Unit shall be a Blue Seal Turbofan stainless steel oven stand NSF-4 listed. The stand shall be constructed from stainless steel tube with castors, with front castors having dual swivel and wheel locks. It shall be fitted with 6 tray runners suitable for up to 12 half size sheet pans or 6 full size sheet pans. The stand shall be fully compatible with, and support, Turbofan Convection Oven models E27, E28, and E31. Unit shall be supplied in 100% recyclable shipping packaging.

STANDARD FEATURES

- 4 full size sheet pan capacity
- 3½" / 80mm tray spacing
- Compact 31⅞" / 810mm width
- Twin bi-directional reversing fans
- 5.6kW heating (220-240V) / 5.0kW heating (208V)
- Porcelain enameled oven chamber
- Plug-in continuous oven door seal
- Safe-Touch vented drop down door
- Stay-Cool door handle
- Heavy-duty door hinges
- Easy clean door glass system
- Mechanical thermostat 150-500°F / 50-260°C
- 60 minute timer with time up alarm
- Dual halogen oven lamps
- Twin dia. 7" / 180mm full stainless steel oven fans
- Anti-skid 2" / 50mm dia. 3" / 76mm high adjustable stainless steel feet
- 4 oven wire racks supplied
- 100% recyclable packaging

ACCESSORIES

- Turbofan SK2731U Oven Stand

E28M4 Full Size Manual / Electric Convection Oven on a Stainless Steel Stand

CONSTRUCTION

Porcelain enameled fully welded oven chamber
Stainless steel front, sides and top exterior
Stainless steel oven fan baffle and oven vent
Removable 4 position chrome plated wire side racks
Oven racks chrome plated wire (4 supplied)
Stainless steel frame drop down hinged door
0.2" / 5mm thick door outer glass
0.2" / 5mm thick low energy loss door inner glass
Heavy-duty counterbalanced door hinges
Wear resistant powder coated welded door handle
Stainless steel control panel
Aluminized coated steel base and rear panels

CONTROLS

Power ON control panel indicator
Mechanical thermostat 150-500°F / 50-260°C
Heating ON control panel indicator
Manual 60 minute timer
Time-Up control panel indicator and buzzer
Over-temperature safety cut-out

CLEANING

Stainless steel top and sides continuous exterior panel
Porcelain enameled oven chamber
Fully removable chrome plated oven side racks
Removable stainless steel oven fan baffle
Full stainless steel oven fans
Easy clean door system with hinge out door inner glass (no tools required)
Removable plug-in oven door seal (no tools required)
3" / 76mm high stainless steel feet for easy access underside

SPECIFICATIONS

Electrical Requirements
208V, 50/60Hz, 1-phase, 5.4kW, 25.8A
220-240V, 50/60Hz, 1-phase, 6.0kW, 25A
No cordset supplied

External Dimensions

Width 31⁷/₈" / 810mm
Height 26" / 662mm including 3" / 76mm feet
Depth 30" / 762mm

Oven Internal Dimensions

Width 27³/₈" / 695mm
Height 14" / 355mm
Depth 18¹/₂" / 470mm
Volume 4.1ft³ / 0.116m³

Oven Rack Dimensions

Width 26" / 660mm
Depth 18" / 460mm

Nett Weight (E28M4)

153lbs / 69.5kg

Packing Data (E28M4)

191lbs / 86.5kg
19.4 ft³ / 0.55m³
Width 34¹/₄" / 870mm
Height 29³/₄" / 755mm
Depth 32⁷/₈" / 835mm

SK2731U Stainless Steel Stand

All stainless steel welded frame oven stand for Turbofan E27, E28 and E31 Series model ovens
6 position tray runners standard
3" / 76mm diameter wheel swivel castors standard with 2 front castors with dual swivel and wheel
Welded 1 1/2" and 1 1/4" square tube front and rear frames
Welded rack supports/side frames
4 dia. 3" / 76mm swivel castors with 2 front castors dual wheel and swivel lock
Top frame oven supports suit Turbofan E27, E28 and E31 Series oven mounting
Supplied CKD for assembly on site

External Dimensions (SK2731U Oven Stand)

Width 31⁷/₈" / 810mm
Height 34⁵/₈" / 880mm
Depth 25⁵/₈" / 650mm

Nett Weight (SK2731U Oven Stand)

43lbs / 19.5kg

Packing Data (SK2731U Oven Stand)

49lbs / 22kg
3.9ft³ / 0.11m³
Width 32⁵/₈" / 830mm
Height 35 1/2" / 900mm
Depth 6" / 152mm

INSTALLATION CLEARANCES

Rear 1" / 25mm
LH Side 1" / 25mm
RH Side 1" / 25mm

CLEARANCE FROM SOURCES OF HEAT

A minimum distance of 12" / 300mm from the appliance sides is required



www.blue-seal.ca
www.turbofanoven.com
www.servecanada.com

CANADA

Serve Canada
40 East Pearce Street
Richmond Hill ON
L4B 1B7
Ph Toll Free 800-263-1455
Fax 905-731-7687
Email info@servecanada.com

Manufactured by:
Moffat Limited
45 Illinois Drive, Izone Business Hub
Rolleston 7675, New Zealand



ISO9001
Quality
Management
Standard

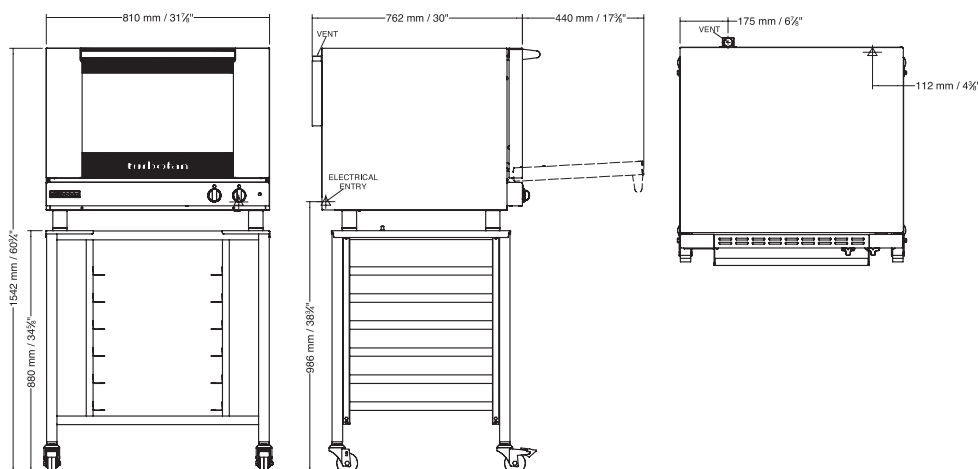
Designed and manufactured by



ISO9001

All Turbofan products are designed and manufactured by Moffat using the internationally recognised ISO9001 quality management system, covering design, manufacture and final inspection, ensuring consistent high quality at all times.

In line with policy to continually develop and improve its products, Moffat Limited reserves the right to change specifications and design without notice.



© Copyright Moffat Ltd
CA.TFN.S.1601