

Technical data sheet for

E30M3 ON THE SK2731N STAND

GN 1/1 Manual / Electric Convection Oven
on a Stainless Steel Stand



STANDARD FEATURES

- 3 Gastronorm GN 1/1 pan capacity
- 100mm tray spacing
- Compact 616mm depth x 810mm width
- 10A plug-in cordset fitted
- Mechanical thermostat 50-260°C
- 60 minute timer with time up alarm
- Single direction low-velocity fan
- 2.2kW heating elements
- Safe-Touch vented side hinged door (standard LH hinge). Optional RH hinge (field convertible)
- Stay-Cool door handle
- Vitreous enamel oven chamber
- Plug-in continuous oven door seal
- Halogen oven lamp
- Anti-skid 50mm dia. 76mm high adjustable stainless steel feet
- 3 oven wire racks supplied
- 100% recyclable packaging

ACCESSORIES

- Turbofan SK2731N Oven Stand



E30M3

Unit shall be a Moffat electrically heated Turbofan convection oven. The oven shall have a one piece vitreous enamel oven chamber, stainless top and sides and safe touch vented easy clean side hinged door that offers field reversible hinging. Oven shall have capacity for three GN 1/1 pans. The oven shall be controlled by a mechanical thermostat with a range of 50-260°C, a 60 minute bake timer, and feature a single halogen oven lamp. Oven shall be able to be bench mounted on 76mm feet or mounted on oven stand model SK2731N. Oven shall be fitted with a 10A cordset. Unit shall be supplied in 100% recyclable shipping packaging.

SK2731N

Unit shall be a Moffat Turbofan stainless steel oven stand. The stand shall be constructed from stainless steel tube with castors, with front castors having dual swivel and wheel locks. It shall be fitted with 6 tray runners suitable for 600 x 400 trays and GN 1/1 pans. The stand shall be fully compatible with, and support, Turbofan Convection Oven models E27, E28, E30 and E31. Unit shall be supplied in 100% recyclable shipping packaging.

E30M3 GN 1/1 Manual / Electric Convection Oven on a Stainless Steel Stand

CONSTRUCTION

Vitreous enamel fully welded oven chamber
 Stainless steel front, sides and top exterior
 Stainless steel oven fan baffle and oven vent
 Removable 3 position chrome plated wire side racks
 Oven grids chrome plated wire (3 supplied)
 Stainless steel frame side hinged door
 5mm thick door outer glass
 5mm thick low energy loss door inner glass
 Full stainless steel welded door handle
 Stainless steel control panel
 Aluminised coated steel base and rear panels

CONTROLS

Power ON control panel indicator
 Mechanical thermostat 50-260°C
 Heating ON control panel indicator
 Manual 60 minute timer
 Time-Up control panel indicator and buzzer

CLEANING

Stainless steel top and sides continuous exterior panel
 Vitreous enamel oven chamber
 Fully removable chrome plated oven side racks
 Removable vitreous enamel oven fan baffle
 Easy clean door system with hinge out door inner glass (no tools required)
 Removable plug-in oven door seal (no tools required)
 76mm high stainless steel feet for easy access underside

SPECIFICATIONS

Electrical Requirements
 230-240V, 50Hz, 1P+N+E, 2.3kW, 9.5A
 10A cordset fitted

External Dimensions

Width 810mm
 Height 625mm including 76mm feet
 Depth 616mm

Oven Internal Dimensions

Width 565mm
 Height 425mm
 Depth 395mm
 Volume 0.09m³

Oven Rack Dimensions

Width 540mm
 Depth 370mm
 Nett Weight (E30M3) 59kg
 Packing Data (E30M3) 83kg
 0.46m³
 Width 745mm
 Height 710mm
 Depth 875mm

SK2731N Stainless Steel Stand

All stainless steel welded frame oven stand for Turbofan E27, E28, E30 and E31 Series model ovens
 6 position tray runners standard
 76mm diameter wheel swivel castors standard with 2 front castors with dual swivel and wheel lock
 Welded 38mm and 32mm square tube front and rear frames
 Welded rack supports/side frames
 Top frame oven supports suit Turbofan E27, E28, E30 and E31 Series oven mounting
 Supplied CKD for assembly on site

External Dimensions (SK2731N Oven Stand)

Width 810mm
 Height 880mm
 Depth 650mm

Nett Weight (SK2731N Oven Stand)

19.5kg

Packing Data (SK2731N Oven Stand)

22kg
 0.11m³
 Width 830mm
 Height 900mm
 Depth 152mm

INSTALLATION CLEARANCES

Rear 25mm
 LH Side 25mm
 RH Side 25mm

CLEARANCE FROM SOURCES OF HEAT

A minimum distance of 300mm from the appliance sides is required



Australia
www.moffat.com.au
 New Zealand
www.moffat.co.nz
www.turbofanoven.com

Australia
 Moffat Pty Limited

Victoria/Tasmania
 740 Springvale Road
 Mulgrave, Victoria 3170
 Telephone 03-9518 3888
 Facsimile 03-9518 3833
vsales@moffat.com.au

New South Wales
 Telephone 02-8833 4111
nswsales@moffat.com.au

South Australia
 Telephone 03-9518 3888
vsales@moffat.com.au

Queensland
 Telephone 07-3630 8600
qldsales@moffat.com.au

Western Australia
 Telephone 08-9202 6820
bgarcia@moffat.com.au

New Zealand
 Moffat Limited

Christchurch
 45 Illinois Drive
 Izone Business Hub
 Rolleston 7675
 Telephone +64 3-983 6600
 Facsimile +64 3-983 6660
sales@moffat.co.nz

Auckland
 Telephone 09-574 3150
sales@moffat.co.nz



ISO9001
 Quality Management Standard

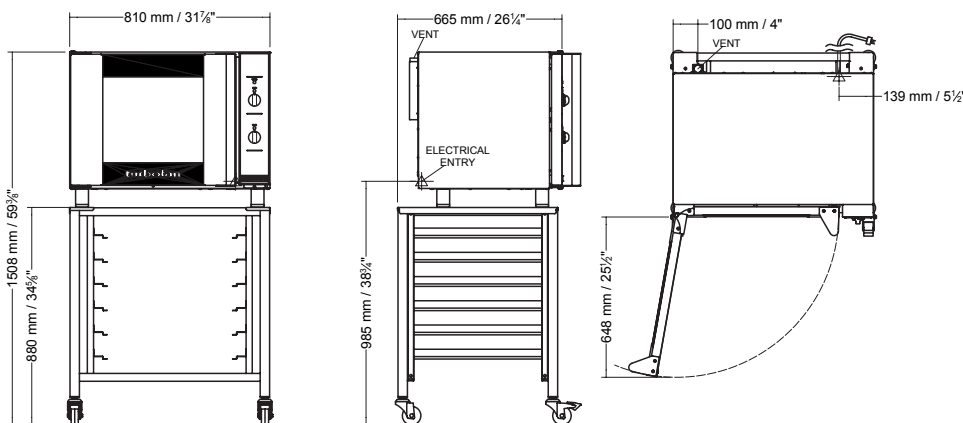
Designed and manufactured by



ISO9001

All Turbofan products are designed and manufactured by Moffat using the internationally recognised ISO9001 quality management system, covering design, manufacture and final inspection, ensuring consistent high quality at all times.

In line with policy to continually develop and improve its products, Moffat Limited reserves the right to change specifications and design without notice.



© Copyright Moffat Ltd
 AN.TFN.S.1501