

Technical data sheet for

## P85M8 PROOFER/HOLDING CABINET

Full Size 8 Tray Electric / Manual Proofer/Holding Cabinet



### P85M8

Unit shall be a Moffat electrically heated Turbofan Proofer and Holding Cabinet ETL Listed and NSF-4 listed. The proofer and holding cabinet shall have double skin construction with stainless steel interior and exterior sides, front and top. Door shall be side hinged and field reversible. Unit shall have capacity for up to 16 half size sheet pans or 8 full size sheet pans. A single speed fan shall gently and evenly circulate air around the cabinet. Cabinet shall be controlled by a mechanical thermostat and humidity via a control of the water tank. A thermometer shall indicate the cabinet temperature. Proofer and holding cabinet shall be mounted on castors, with two rigid castors at rear and two swivel castors dual swivel and wheel lock and front. Proofer and Holding cabinet shall operate independently or in combination with Moffat Turbofan model E35D or E35T Convection Ovens. Proofer and Holding Cabinets shall be fitted with NEMA 5-15P cordsets. Unit shall be supplied in 100% recyclable shipping packaging.

### STANDARD FEATURES

- Dual function Proofer and Holding Cabinet
- Designed for individual use or system installed with Turbofan E35D and E35T Convection Ovens
- 8 full size sheet pan capacity
- 16 half size sheet pan capacity
- 3" / 76mm tray spacing
- 35<sup>7</sup>/<sub>8</sub>" / 910mm width
- 110-120V plug-in
- 15A NEMA 5-15P cordset fitted
- Full double skin construction
- Auto water fill system with optional integrated water filter kit
- Continuous door seal
- Side hinged door (standard LH hinge). Optional RH hinge (field convertible)
- Off / Proof / Hold mode selection
- Low velocity circulation fan system
- Mechanical thermostat
- Humidity level control
- Dual halogen cabinet interior lamps
- Cabinet temperature display thermometer
- 4 dia. 3" / 76mm castors with 2 front castors dual wheel and swivel lock, 2 rigid rear castors
- 100% recyclable packaging

### ACCESSORIES

- Optional 3M Cuno water filter kit complete with cartridge and connection fittings
- Installs in pre-fitted rear housing of cabinet for flush rear installation

### P85M8 Full Size Manual / Electric Proofer/Holding Cabinet

#### CONSTRUCTION

304 stainless steel interior cabinet  
Stainless steel front, sides and top exterior  
Stainless steel interior side racks  
Stainless steel frame side hinged door  
0.2" / 5mm thick door glass  
Stainless steel control panel  
Aluminized coated steel base and rear panels

#### CONTROLS

Off / Proof / Holding mode selector switch.  
Mechanical thermostat 65-185°F / 20-85°C  
Air heating ON control panel indicator  
Humidity level control  
Humidity tank ON control panel indicator  
Cabinet temperature thermometer  
Auto-fill water system standard

#### CLEANING

Stainless steel top and side exterior panels  
Stainless steel interior chamber  
Easy access to all interior surfaces  
Fully removable stainless steel rack support  
Removable humidity water tank (no tools)

#### SPECIFICATIONS

Electrical Requirements  
110-120V, 50/60Hz, 1-phase, 1.45kW, 11.6A  
NEMA 5-15P cordset fitted



Water Requirements (optional)  
Cold water connection 3/4" GHT male  
80psi maximum inlet pressure / 20psi minimum inlet pressure

#### External Dimensions

Width 35 7/8" / 910mm  
Height 36" / 914mm including dia. 3" / 76mm castors  
Depth 34 5/8" / 880mm

#### Proofer Internal Dimensions

Width 18 1/4" / 465mm  
Height 28 3/4" / 730mm  
Depth 31 1/4" / 795mm  
Volume 9.5ft³ / 0.27m³

#### Nett Weight (P85M8)

205lbs / 93kg

#### Packing Data (P85M8)

292lbs / 133kg  
37 ft³ / 1.05m³  
Width 37 3/8" / 950mm  
Height 42 1/4" / 1070mm  
Depth 40 1/2" / 1020mm

#### INSTALLATION CLEARANCES

Rear 1" / 25mm  
LH Side 1" / 25mm  
RH Side 1" / 25mm

#### CLEARANCE FROM SOURCES OF HEAT

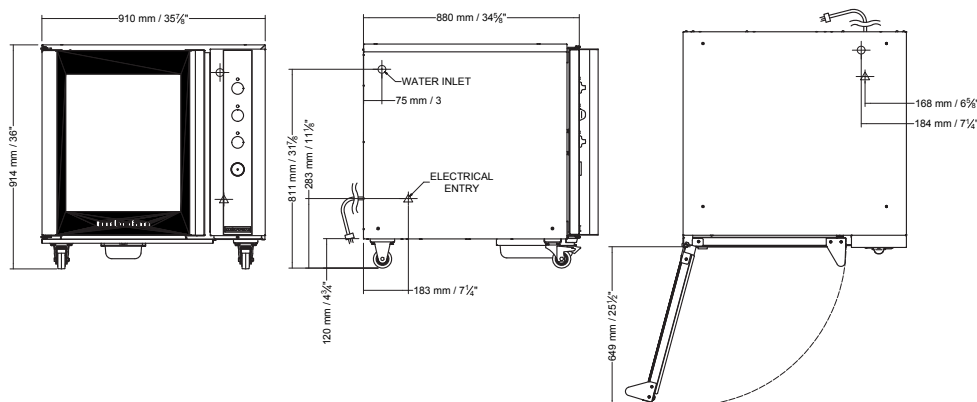
A minimum distance of 12" / 300mm from the appliance sides is required



www.moffatusa.com  
www.turbofanoven.com

#### U.S.A.

Moffat Inc  
3765 Champion Boulevard  
Winston-Salem  
North Carolina 27105  
Ph Toll Free 1-800-551 8795  
Ph 336-661 0257  
Fax 336-661 9546  
Email sales@moffat.com  
www.moffatusa.com



Manufactured by:  
Moffat Limited  
45 Illinois Drive, Izone Business Hub  
Rolleston 7675, New Zealand



Designed and manufactured by



#### ISO9001

All Turbofan products are designed and manufactured by Moffat using the internationally recognised ISO9001 quality management system, covering design, manufacture and final inspection, ensuring consistent high quality at all times.

In line with policy to continually develop and improve its products, Moffat Limited reserves the right to change specifications and design without notice.

