

Technical data sheet for

E23T3 ON THE SK23T STAND

Half Size Electric Convection Oven

TOUCH SCREEN CONTROL on a Stainless Steel Stand



E23T3

Unit shall be a Moffat electrically heated Turbofan convection oven. The oven shall have a one piece vitreous enamel oven chamber, stainless top and sides and safe touch vented easy clean drop down door. Oven shall have capacity for three half size sheet pans. The oven shall have 2.8kW heating elements. The oven shall have a bi-directional single reversing fan system and feature a single halogen oven lamp. The oven shall feature a programmable Touch Screen menu controller. Oven shall be able to be bench mounted on 76mm feet or mounted on oven stand model SK23T. Oven shall be fitted with a 15A plug-in cordset. Unit shall be supplied in 100% recyclable shipping packaging.

SK23T

Unit shall be a Moffat Turbofan stainless steel oven stand. The stand shall be constructed from stainless steel tube with castors, with front castors having dual swivel and wheel locks. It shall be fitted with 6 tray runners suitable for half size sheet pans. The stand shall be fully compatible with, and support, Turbofan Convection Oven model E23T3. Unit shall be supplied in 100% recyclable shipping packaging.

STANDARD FEATURES

- 3 460mm x 330mm / 18" x 13" half size sheet pan capacity
- 3 GN 2/3 pan capacity
- 85mm tray spacing
- Compact 745mm width
- Touch Screen control
- Icon driven program menu
- USB port for program/icon updating
- Individual shelf timers
- Multi-stage programs
- Steam injection mode and manual injection
- Bi-directional reversing fan system
- 2.8kW heating
- 15A plug-in cordset fitted
- Vitreous enameled oven chamber
- Plug-in continuous oven door seal
- Safe-Touch vented drop down door
- Stay-Cool door handle
- Heavy-duty door hinges
- Easy clean door glass system
- Halogen oven lamp
- Dia. 180mm full stainless steel oven fan
- Anti-skid 50mm dia. 76mm high adjustable stainless steel feet
- 3 oven wire racks supplied
- 100% recyclable packaging

ACCESSORIES

- Turbofan SK23T Oven Stand

turbofan®

E23T3 Half Size Electric Convection Oven TOUCH SCREEN CONTROL on a Stainless Steel Stand

CONSTRUCTION

Vitreous enameled fully welded oven chamber
 Stainless steel front, sides and top exterior
 Stainless steel oven fan baffle and oven vent
 Removable 3 position chrome plated wire side racks
 Oven racks chrome plated wire (3 supplied)
 Stainless steel frame drop down hinged door
 5mm thick door outer glass
 5mm thick low energy loss door inner glass
 Heavy-duty counterbalanced door hinges
 Wear resistant powder coated welded door handle
 Stainless steel control panel
 Aluminised coated steel base and rear panels

CONTROLS

5.7" LED backlit touch screen
 Icon driven program menu
 BMP image icon imports via USB port
 Temperature range 50-260°C
 Individual shelf timers
 Multi-stage programs
 Over-temperature safety cut-out

CLEANING

Stainless steel top and sides continuous exterior panel
 Vitreous enameled oven chamber
 Fully removable chrome plated oven side racks
 Removable stainless steel oven fan baffle
 Full stainless steel oven fan
 Easy clean door system with hinge out door inner glass (no tools required)
 Removable plug-in oven door seal (no tools required)
 76mm high stainless steel feet for easy access underside

SPECIFICATIONS

Electrical Requirements
 230-240V, 50Hz, 1P+N+E, 3kW, 12A
 15A cordset fitted

Water Requirements (optional)
 Cold water connection 3/4" BSP male
 80psi maximum inlet pressure / 20psi minimum inlet pressure

External Dimensions

Width 745mm
 Height 512mm including 76mm feet
 Depth 643mm

Oven Internal Dimensions

Width 495mm
 Height 305mm
 Depth 340mm
 Volume 0.51m³

Oven Rack Dimensions

Width 460mm
 Depth 330mm

Nett Weight (E23T3)

42.4kg

Packing Data (E23T3)

54.6kg
 0.36m³
 Width 755mm
 Height 585mm
 Depth 810mm

SK23T Stainless Steel Stand

All stainless steel welded frame oven stand for Turbofan E23T3 Series oven
 6 position tray runners standard
 76mm diameter wheel swivel castors standard with 2 front castors with dual swivel and wheel
 Welded 38mm and 32mm square tube front and rear frames
 Welded rack supports/side frames
 4 dia. 76mm swivel castors with 2 front castors dual wheel and swivel lock
 Top frame oven supports suit Turbofan E23T3 Series Oven mounting
 Supplied CKD for assembly on site

External Dimensions (SK23T Oven Stand)

Width 735mm
 Height 880mm
 Depth 530mm

Nett Weight (SK23T Oven Stand)

17kg

Packing Data (SK23T Oven Stand)

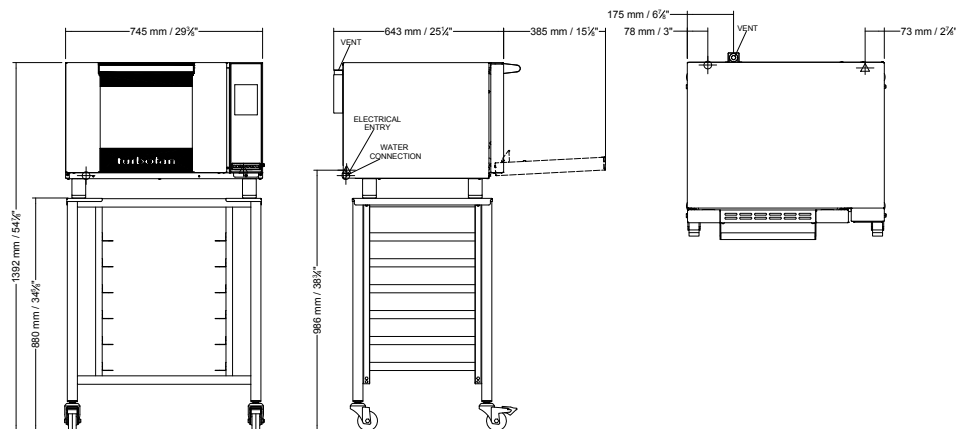
19kg
 0.11m³
 Width 765mm
 Height 900mm
 Depth 152mm

INSTALLATION CLEARANCES

Rear 25mm
 LH Side 25mm
 RH Side 25mm

CLEARANCE FROM SOURCES OF HEAT

A minimum distance of 300mm from the appliance sides is required



Australia
www.moffat.com.au
 New Zealand
www.moffat.co.nz
www.turbofanoven.com

Australia
 Moffat Pty Limited

Victoria/Tasmania
 740 Springvale Road
 Mulgrave, Victoria 3170
 Telephone 03-9518 3888
 Facsimile 03-9518 3833
vsales@moffat.com.au

New South Wales
 Telephone 02-8833 4111
nswsales@moffat.com.au

South Australia
 Telephone 03-9518 3888
vsales@moffat.com.au

Queensland
 Telephone 07-3630 8600
qldsales@moffat.com.au

Western Australia
 Telephone 08-9202 6820
bgarcia@moffat.com.au

New Zealand
 Moffat Limited

Christchurch
 45 Illinois Drive
 Izone Business Hub
 Rolleston 7675
 Telephone +64 3-983 6600
 Facsimile +64 3-983 6660
sales@moffat.co.nz

Auckland
 Telephone 09-574 3150
sales@moffat.co.nz



ISO9001
 Quality
 Management
 Standard

Designed and manufactured by



ISO9001

All Turbofan products are designed and manufactured by Moffat using the internationally recognised ISO9001 quality management system, covering design, manufacture and final inspection, ensuring consistent high quality at all times.

In line with policy to continually develop and improve its products, Moffat Limited reserves the right to change specifications and design without notice.



© Copyright Moffat Ltd
 AN.TFN.S.1501